

Straight-Bore Conveyor Clutch

LSCC-54

Nexen's air-engaged, straight-bore clutch offers high torque in a small package. The LSCC is ideal for soft starts on accumulating, chain-driven live-roller, or in-line conveyor applications. With a maximum torque rating of 452 Nm [4000 in-lb] and a bore range from 22 to 38 mm [0.875-1.500 in], this clutch can outperform the competition at a lower cost. Nexen's LSCC clutch comes standard with a pilot designed for easy sprocket mounting or can be configured for a variety of mounting applications (double-single sprocket, timing belt sprocket, etc.).

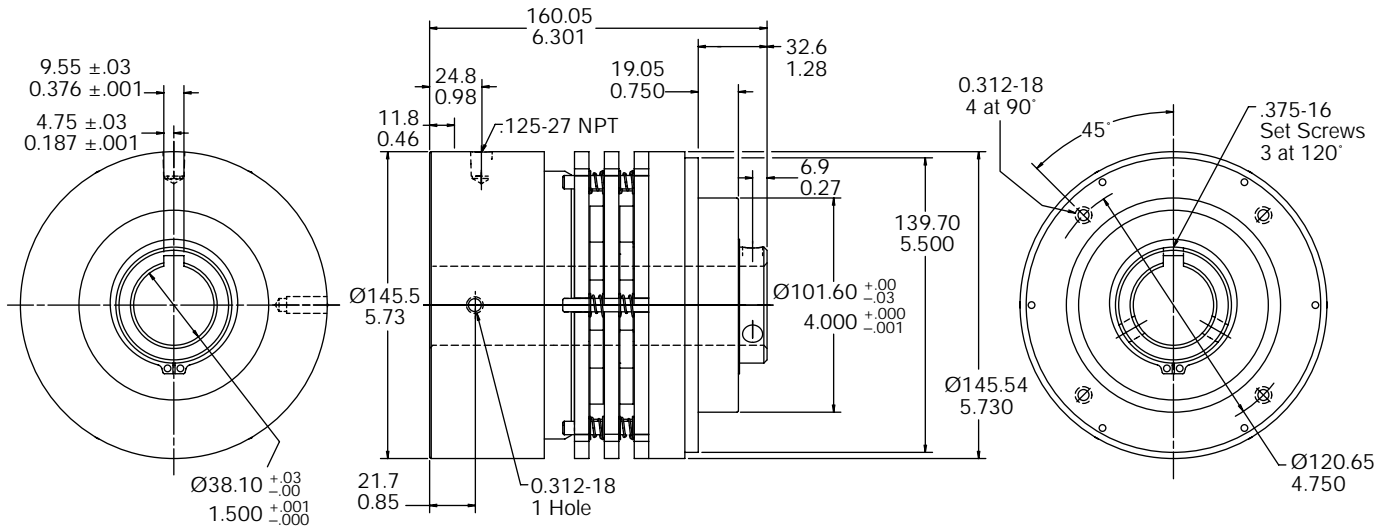


- High torque: 452 Nm [4000 in-lb] at 5.5 bar [80 psi]
- Bore range: 22-38 mm [0.875-1.500 in]
- Through-shaft design with three set screws for easy mounting
- Variable mounting configurations: plate or double-single sprocket, timing belt sprocket, or sheave
- Open design, improved airflow, high thermal horsepower
- Internal spline drive for trouble free disengagement performance
- Shielded ball bearings for low disengagement drag
-sealed bearings also available
- No rotary air union required
- Compact size: \varnothing 145.54 mm [\varnothing 5.73 in], 160.05 mm [6.30 in] long
- Spring biased for complete disengagement
- Field repairable o-rings, facings and springs

LSCC-54, Approximate Dimensions

Units can be configured with plate or double-single sprocket, timing belt sprocket, or v-belt sheave. Nexen can also configure an optional integral brake. Please consult factory for details.

mm
in

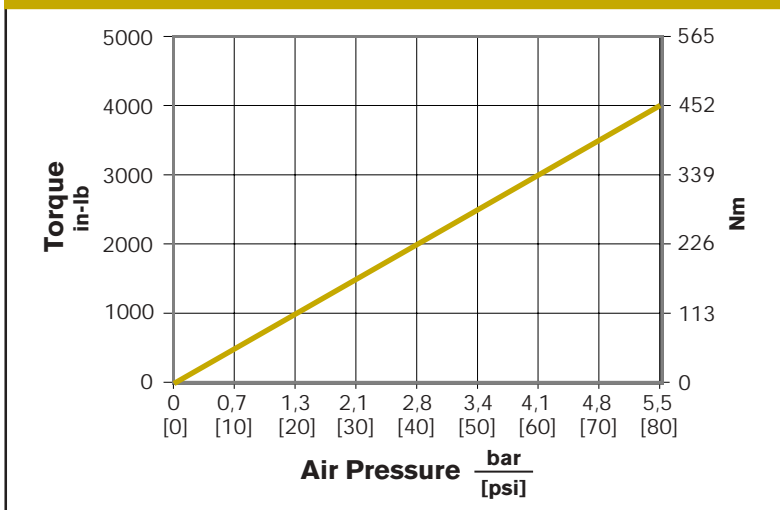


Specifications

Model	Product Number	Torque at 5.5 bar [80 psi]	Bore	Inertia ¹ Rotating with drive	Inertia ¹ Rotating with shaft	Shipping Weight
LSCC-54	923576	452 Nm [4000 in-lb]	38 mm [1.500 in]	0.00478 kg-m ² [16.35 lb-in ²]	0.00215 kg-m ² [7.34 lb-in ²]	8.1 kg [18 lb]
LSCC-54	Consult Factory	452 Nm [4000 in-lb]	22 - 38 mm [0.875 - 1.500 in]	0.00478 kg-m ² [16.35 lb-in ²]	0.00215 kg-m ² [7.34 lb-in ²]	8.1 kg [18 lb]

¹This is a calculated value.

Clutch Torque vs. Air Pressure



SINGLE - TYPE 'A' SPROCKET SIZES (using standard single strand roller chain)

Pilot Diameter	Sprocket Number					
	25	35	40-41	50	60	80
H	Minimum # of Teeth					
76,2 mm [3.000 in]	74	50	38	32	27	21

In accordance with Nexen's established policy of constant product improvement, the specifications contained in this document are subject to change without notice. Technical data listed in this document are based on the latest information available at the time of printing and are also subject to change without notice. For current information, please consult: www.nexengroup.com

nexen

Nexen Group, Inc.
560 Oak Grove Parkway
Vadnais Heights, MN 55127

800.843.7445
Fax: 651.286.1099
www.nexengroup.com



MEX (55) 53 63 23 31 MTY (81) 83 54 10 18
QRO (442) 1 95 72 60 ventas@industrialmagza.com

ISO 9001 Certified

©2002 Nexen Group, Inc.
21162-A-0303